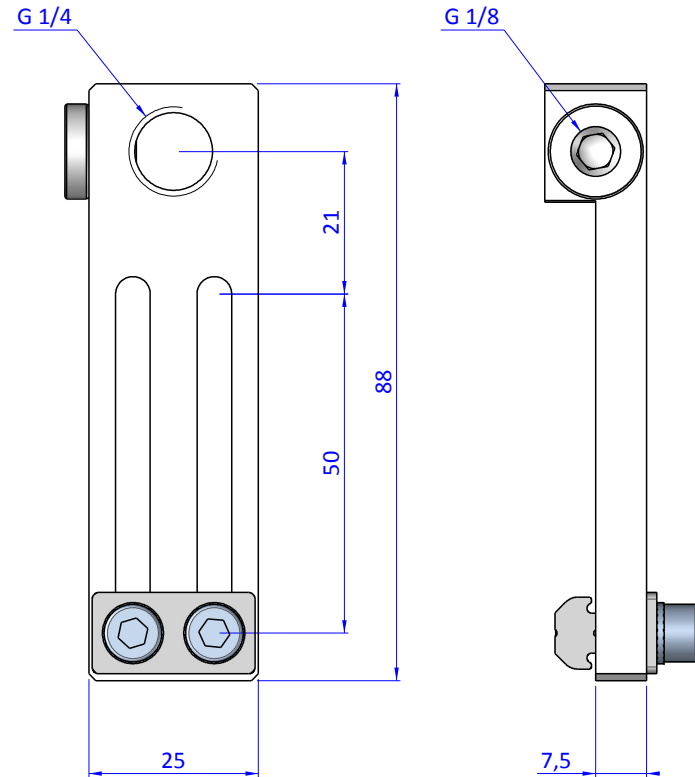
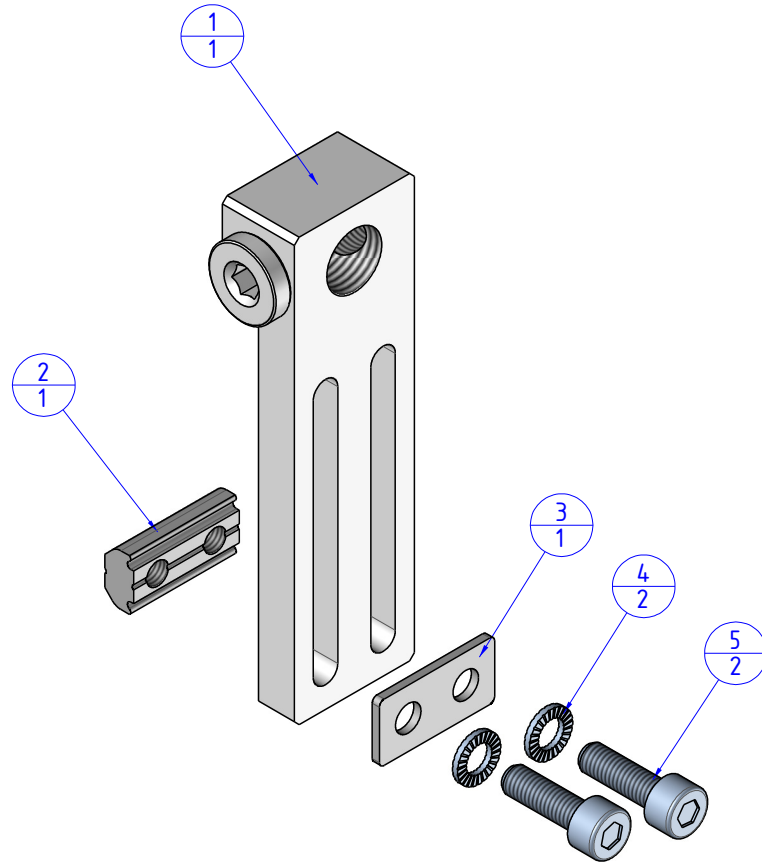


THE PROPERTY OF THE DRAWING IS ESTABLISHED BY LAW. IT IS FORBIDDEN TO PRODUCE OR SHOW IT TO THIRD PARTY, WITHOUT A WRITTEN AGREEMENT.

Item	Name	Q.ty
1	CA.WLS.14.18	1
2	GWP.5.12	1
3	R.05.12	1
4	R.5.SCH	2
5	VTCE5x16	2



Format A3

UNI 936-76

FP SERVICES AUTOMATION		DESIGNED FROM FPSERVICES	REVIEW A
GENERAL TOLERANCE UNI - ISO 2768 CLASSE F	DESCRIPTION CA.WLS.14.18.X	DATE 27/02/2019	WEIGHT 0,064kg
		CODE CA.WLS.14.18.X	